



# LEFROY BROOKS

1 8 2 8 T R O U T M A N S T R E E T  
R I D G E W O O D N E W Y O R K N Y 1 1 3 8 5 U S A  
T: +1(718) 302 5292 F: +1(718) 302 4177

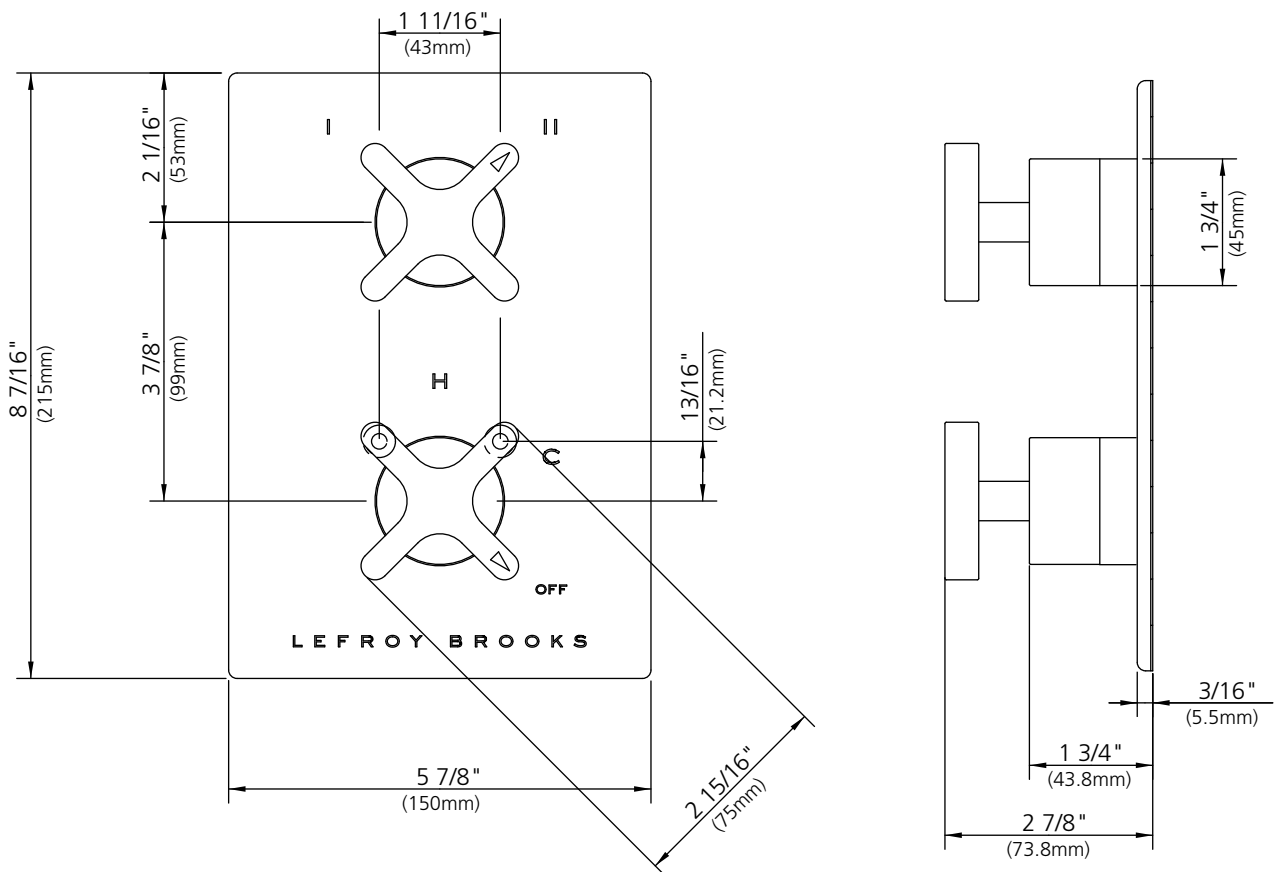
## K1-4302

CROSS HANDLE PRESSURE BALANCE WITH CROSS HANDLE 2-WAY  
DIVERTER TRIM ONLY, TO SUIT K1-4101 ROUGH

### DIMENSIONAL DATA SHEET

DATE: 14 January 2010

No: A662806



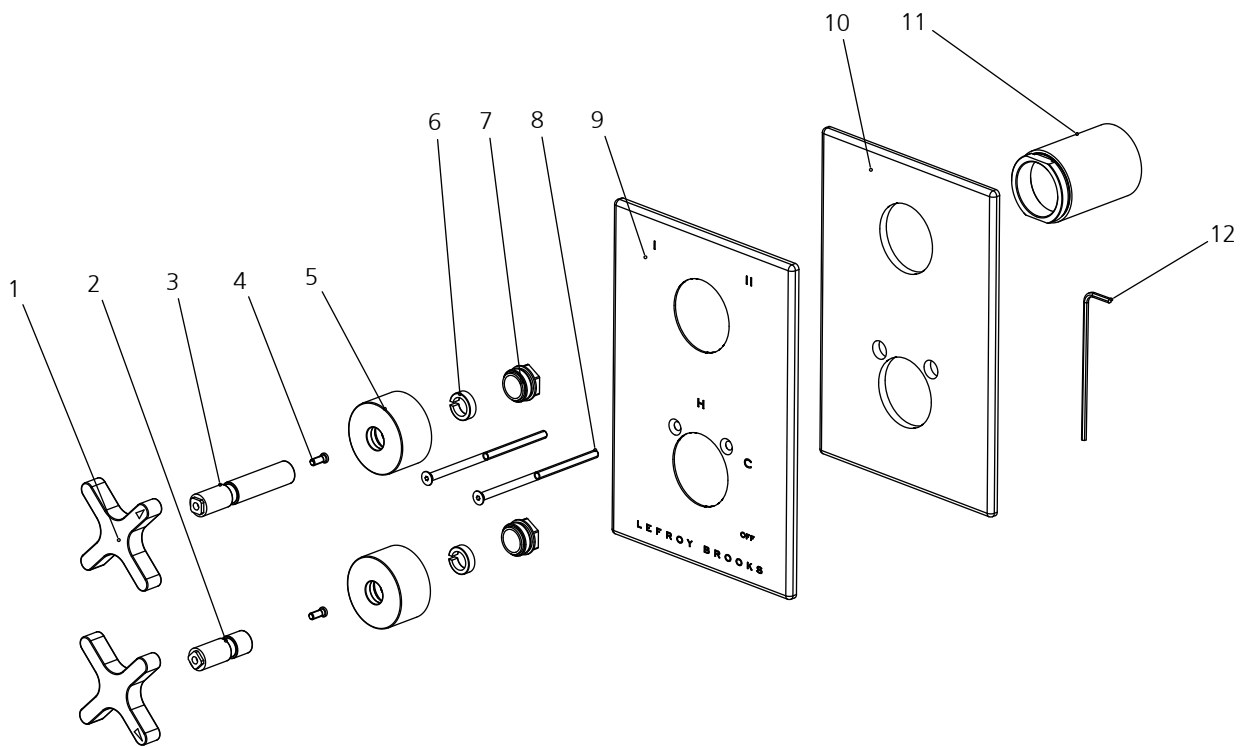
©COPYRIGHT 2009. CHRISTO LEFROY BROOKS. ALL RIGHTS RESERVED.

DIMENSIONS IN INCHES & MILLIMETRES

WHILST EVERY EFFORT IS MADE TO ENSURE THE ACCURACY OF THESE DATA SHEETS THEY ARE SUBJECT TO CHANGE WITHOUT NOTICE AS PART OF THE COMPANY'S PRODUCT DEVELOPMENT PROCESS

# K1-4302

CROSS HANDLE PRESSURE BALANCE WITH CROSS HANDLE 2-WAY DIVERTER TRIM ONLY, TO SUIT K1-4101 ROUGH



- |   |                         |    |                         |
|---|-------------------------|----|-------------------------|
| 1 | Handle (069688-50)      | 7  | Adaptor (067897)        |
| 2 | Stem extension (110384) | 8  | Screw (008034)          |
| 3 | Stem extension (110385) | 9  | Front plate (006507-50) |
| 4 | Screw (008774)          | 10 | Seal (068329)           |
| 5 | Canopy (018958)         | 11 | Sleeve (041724)         |
| 6 | Clip (012242)           | 12 | Allen key (031220)      |